

# Counters Dual Multifunction Display Types DMF1462

CARLO GAVAZZI



DMF1462

- Dual function indicator
- Programmable function:
  - Pulse counter
  - Position display
  - Frequency/speed
  - Timer/time meter
- AC/DC supply
- High rate accuracy system
- DIN 48x96
- IP65 front protection

## Product Description

This multifunction display is similar to the DMF1461 but it can display 2 different functions at once. It can be used for a multitude of

applications. Can display eg.: pulse and frequency, 2 pulse counters, pulse and time, 2 timers...

## Ordering Key

**DMF1462 A12 0 00**

Type \_\_\_\_\_  
 Output \_\_\_\_\_  
 Supply voltage code \_\_\_\_\_  
 Input type \_\_\_\_\_

Stock items: DMF1462A12000  
 DMF1462A12300

## Approvals



## Output Type

A12	No output
-----	-----------

## Input Type

00	Standard (also fixed voltage input available upon request)
----	--

## General Data

Display	6 digits LED type
Dimensions of digits	H 14mm/0.55"
Viewing angle	Frontal
Colour of digit figures	Red
Current consumption	<50mA, 6VA
Data Back-up	E <sup>2</sup> PROM
Operating temperature	-20...+65°C/4...149°F
Storage temperature	-25...+70°C/-13...158°F
Mounting position	Panel mounting
Housing colour	RAL7021 (grey)
Dimensions	48x96 acc. to DIN 43700 STD
Weight	150g/5.29oz
Panel cut-out HxL	48x92mm / 1.89"x3.62"
Protection degree	IP65 (front)
EMC	acc. to directive 89/36/ENG
emitted:	EN61000-6-4 EN550011 class B
immunity:	EN61000-6-2

## Supply Voltage

0	90...260VAC
3	10...30VDC (with reverse polarity protection)

## Measuring Specifications

Time range	0.001s...999 999h
Counting Frequency	60kHz
Counting system	Programmable
Reset time	<5ms
Accuracy Tachometer:	<0.1%
Timer:	<50ppm

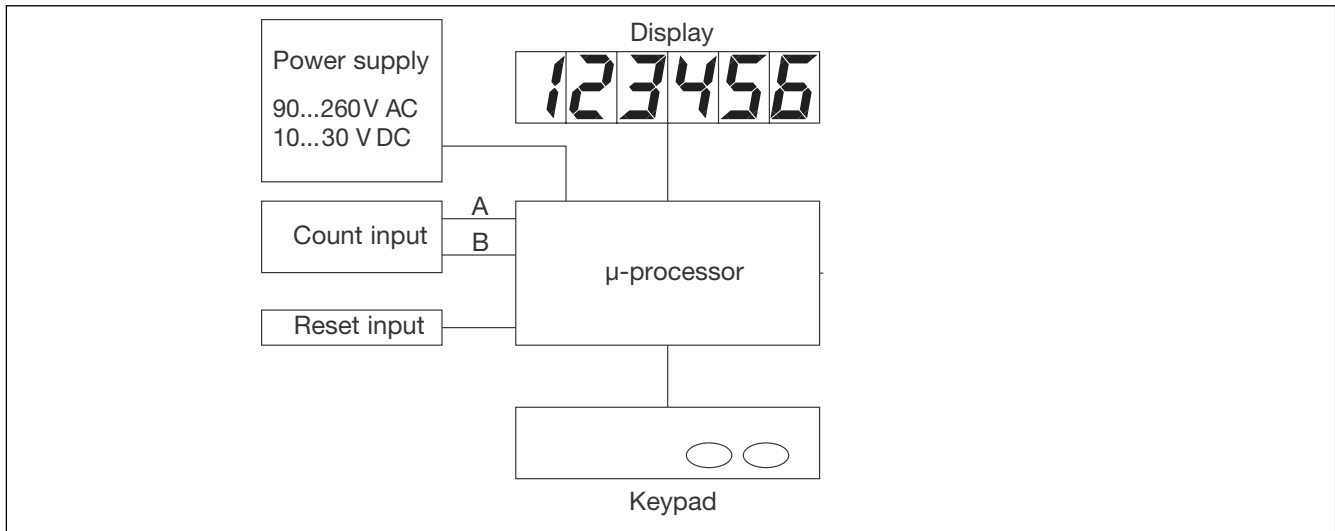
## Input Specifications

Polarity	PNP or NPN programmable
Resistance	~ 5kΩ
Switching level	
STD DC input version	Low: 0±0.2 x U <sub>B</sub> High: 0.6 x U <sub>B</sub>
AC version	Low: 0±4VDC High: 12...30VDC

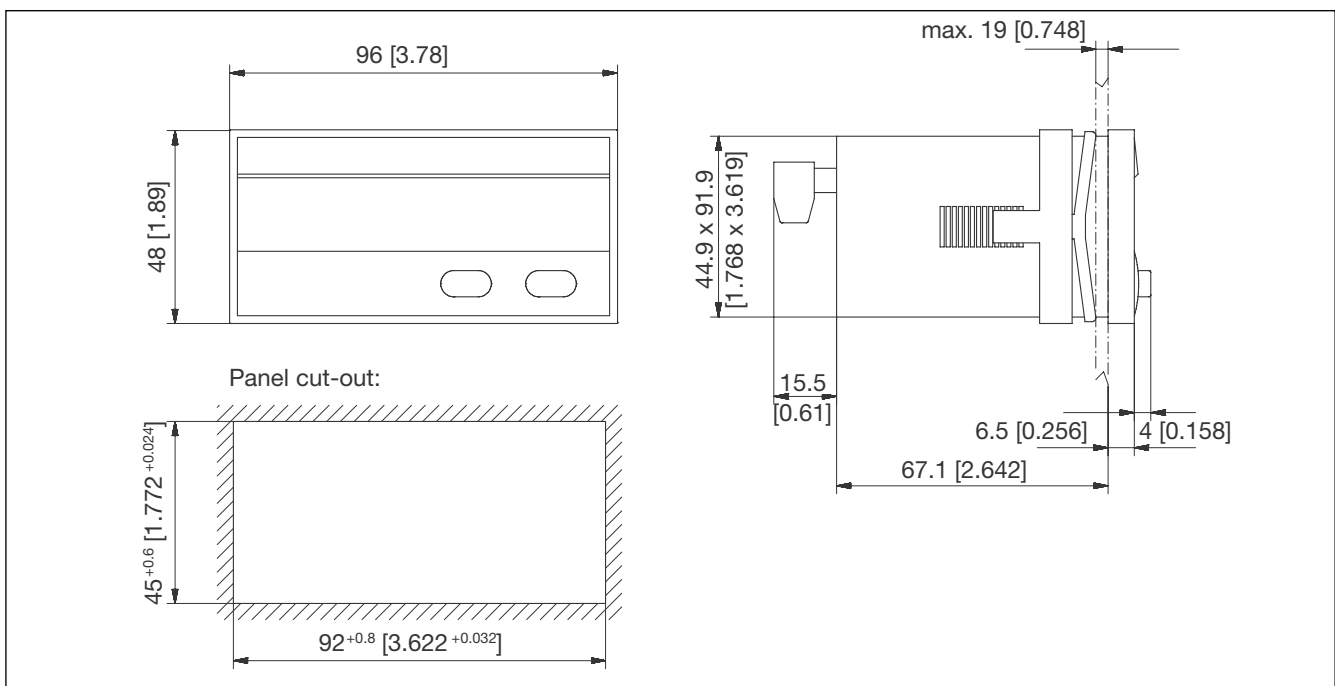
## Package Content

1	Instrument DMF1462
1	Panel mounting clip
1	Screw terminal block 2 pins RM 5.08
1	Screw terminal block 7 pins RM 3.81
1	Gasket
1	Multilingual operating manual

## Block Diagram



## Dimensions (mm/inches)



## Connections

